



Windham™

Two-piece elongated 1.6 gpf toilet
402324

Features

- Two-piece design.
- Elongated bowl offers added room and comfort.
- Standard height.
- 1.6 gpf (6.0 lpf)
- Left-hand Polished Chrome trip lever.
- 2-1/8" (54 mm) fully glazed trapway.
- Combination consists of 403217 bowl and 402363 tank.

Technology

- Pro Force® Plus flushing technology delivers greater flushing power than previous Pro Force® models.

Installation

- Three-bolt quick-connect installation.
- Standard 12" (305 mm) rough-in.
- Seat and supply line sold separately.

Recommended Products/Accessories

- K-20110 Brevia™ Quiet-Close™ elongated toilet seat
- K-4636 Cachet® Quiet-Close™ elongated toilet seat
- K-9466-L Left-Hand Trip Lever
- K-5420 Low-Profile Bolt Caps
- K-23726 Drain treatment

Included Components

Product consists of:

- 403217
- 402363

Additional Components:

- Bolt cap accessory pack
- Tank cover
- Tank mounting hardware
- Trip lever



Codes/Standards



ASME A112.19.2/CSA B45.1
DOE - Energy Policy Act 1992

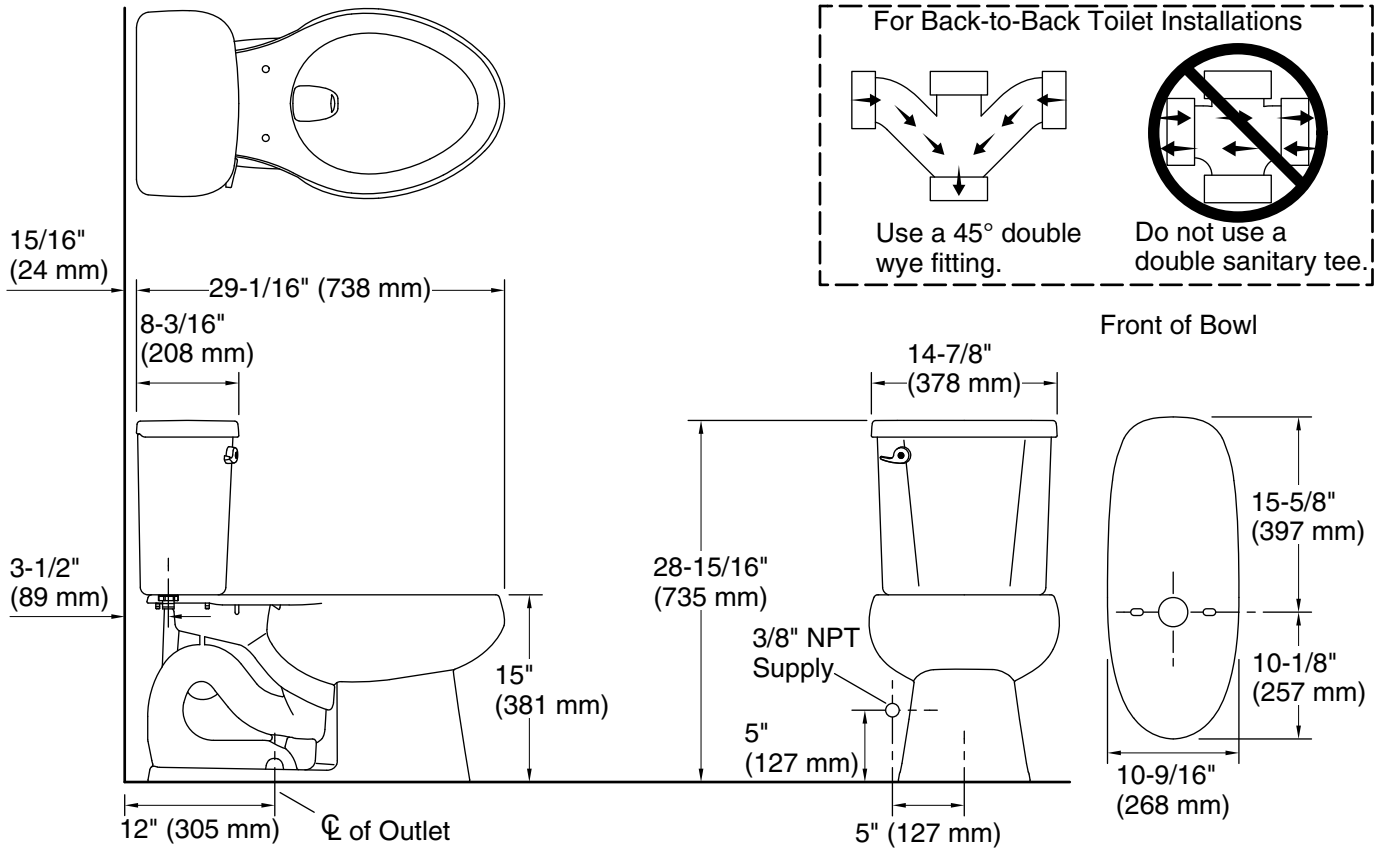
STERLING® Warranty - Toilets and Lavatories

See website for detailed warranty information.

Available Colors/Finishes

Color tiles intended for reference only.

Color	Code	Description
	0	White
	96	KOHLER Biscuit



Technical Information

All product dimensions are nominal.

- Toilet type: Floor-mount
- Waste Outlet: Floor
- Bowl shape: Elongated
- Flush type: Gravity siphon jet
- Trap passageway: 2-1/8" (54 mm)
- Water Consumption
 - Full: 1.6 gpf (6 lpf)
- Rough-in: 12" (305 mm)

Notes

- Install this product according to the installation instructions.
- For back-to-back toilet installations: Use only a 45° double wye fitting.